

Use:

The distributor sockets are designed exclusively for the media compressed air and water.

Screw in torque:

When screwing in connectors and accessory parts the tightening torque must not exceed **max. 12 Nm**.

- Do not screw in connection elements with the support of impact srewdrivers.
- Use suitable sealing material, e.g. PTFE tape, liquid glue, etc.

Pressure load:

A maximum pressure of 15 bar must not be exceeded.

Ambient temperature:

The distributor sockets are designed for ambient temperatures of **max. -10 °C to 50 °C** for **compressed air** and **1 °C to 50 °C** for **water**.

These temperature limits must not be exceeded or dropped below.

Installation:

The distributor sockets can be installed in all areas, e.g. ceilings, walls, tables, etc.

Flat-head screws with a max. diameter of 5 mm must be used.

The max. tightening torque is 4 Nm.

Hole drilling plan:

The spacing of the holes is to be taken from the enclosed sketch. Alternatively, the hole template shown below can be cut out.

The distributor sockets are marked on the inlet and outlet, on which they can be aligned in the desired position.

Caution:

Note that the distributor sockets must not be installed in danger zones.
Danger zones are, for example, transport routes, escape routes, etc.

Applies to the following articles:

End distributor without through-hole thread, PN 15

Art. No.	Type No.
112613 to 112618	EVD12-1 to EVD34-3

Through distributor with through-hole thread, PN 15

Art. No.	Type No.
112619 to 112624	DVD12-1 to DVD34-3

Universal distributor with through-hole thread, PN 15

Art. No.	Type No.
194135	UVD12-6

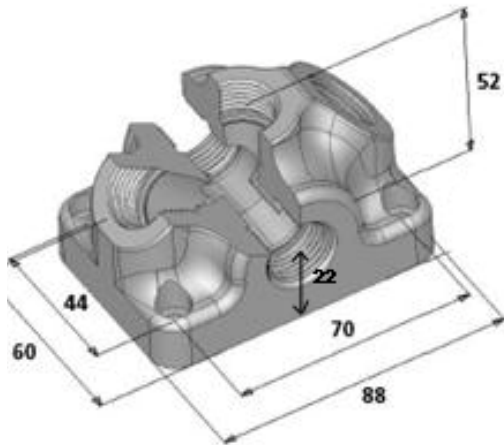
Universal junction socket, with 2 safety couplings I.D. 7.4

Art. No.	Type No.
205213	UVDS12-2

End distributor without through-hole thread, with standard couplings DN 7.2

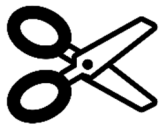
Art. No.	Type No.
107275 to 107278	EVDK12-2 to EVDK34-3

Dimensions:



DVD 12-3

Drilling template for cutting out:



Drillings in the box: \varnothing 5.5 mm
Ideal plugs: \varnothing 6 mm
Ideal screws: \varnothing 4 mm flat head